

# KIRSCH BLOODHOUND XTN

## XTREME TRACKING NOCK

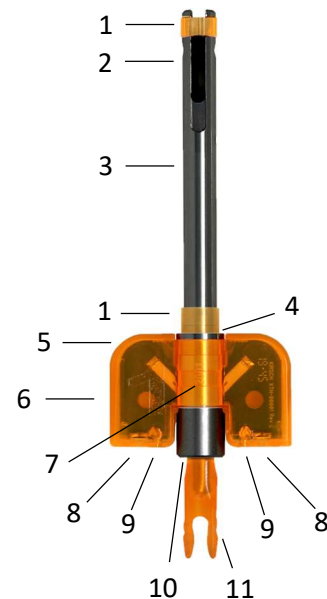


Starter Kit includes Bloodhound XTN #1, two Practice Nocks, Tracker, Charger Kit, Spare Set of Bushings and Replacement Expandable Retention Mech, Magnetic Off Wand, Nocks.

Helping you recover more game with less grid searches, bring back your meat in less time with less spoilage, and less risk from other predators finding your trophy before you do.

- + Lights super bright when shot, letting you know it is on.
- + Pulls off the back of your arrow during arrow pass through of the target.
- + Secures to the fatally shot game giving you a blood trail backup.
- + Interacts with your hand-held Tracker up to 400 yards away.
- + Tracker points you to any of up to 6 unique Bloodhound XTNs.
- + Helps you recover your trophy when other methods fail.
- + Encouraging deadly arrow pass through.

- 1 Bushings (2) to snugly fit .244" (S), .246" (GT) arrow IDs, and .285", .297", and .300" bolt IDs.
- 2 Expandable Retention Mech. holds onto game.
- 3 Rechargeable battery w/ 1 year standby & 18-hours tracking.
- 4 Alum. front shoulder to accurately align to arrow/bolt end.
- 5 1.26" width Stopping Mech.
- 6 Embedded antennas.
- 7 Aircraft grade alum. core for high speed / high impact strength.
- 8 Symmetrical rear exposed LEDs (2) providing max viewing to shooter.
- 9 Charging pins (2) providing long reusable life.
- 10 Alum. rear shoulder for strength and accurate alignment with the nock.
- 11 Swappable pin nock for multiple crossbows (flat nock, half-moon nock, and capture nock) and preferred arrow pin nock.



**KIRSCH, LLC**  
P.O. Box 749, New Munster, WI 53152  
800.970.8041

[www.KirschHunting.com](http://www.KirschHunting.com)  
[CustomerService@KirschHunting.com](mailto:CustomerService@KirschHunting.com)

# The hand held TRACKER

If you lose the bloodtrail, your backup is now in hand. Your personal Tracker uses RF (radio frequencies) communicating between the XTNs and Tracker for guiding you to your fatally shot game, recovering, not wasting, the land's bounty. No Bluetooth or cell service to worry about.



- 1 USB port for recharging battery
- 2 Integrated antenna doors (x4)
- 3 Power Button
- 4 Tracker battery life indicator
- 5 XTN battery life indicator
- 6 Directional arrow (to the XTN)
- 7 Bloodhound tracker – wags tail when locked onto XTN
- 8 XTN # indicator, supports up to 6 unique XTNs
- 9 Distance indicator by %: 99% equals next to the XTN, 20% being possibly 400 yards away
- 10 Track Button to track a specific XTN #
- 11 Scan Button for finding any XTNs #s 1-6 within range
- 12 Stop Button to stop all action
- 13 Speaker Button (on/off)
- 14 Backlight Button (on/off)
- 15 Select Button
- 16 Loop bar for attaching wrist strap, etc.



**KIRSCH, LLC**  
P.O. Box 749, New Munster, WI 53152  
800.970.8041

[www.KirschHunting.com](http://www.KirschHunting.com)  
[CustomerService@KirschHunting.com](mailto:CustomerService@KirschHunting.com)

## Technical Specifications

### Tracker

Housing Color:	Black
Weight:	10 ounces
Dimensions (product):	H: 6", W: 3.5", D: 1.5"
Operating Temperature:	-10°C to +50°C
Storage Temperature:	-20°C to +45°C up to 6m -20°C to +20°C up to 2yr
Battery Type:	Rechargeable Li-ion
Battery Life:	24 hrs. in Search & Track
Charge Cycles:	250
Range:	Up to 400 yards
Weatherproofing:	Light Rain

### XTN Tracking Nock

Wing Color:	Translucent orange
Metal Color:	Black Anodized
Pin Nock Color:	Translucent orange
LED Color:	Ultra-Bright Orange
Weight:	

XTN w/o pin nock:	95 grains
Compound bow pin nock:	4 grains
KIRSCH flat nock:	9.2 grains
KIRSCH half-moon nock:	9.5 grains
KIRSCH capture nock:	10.2 grains

Dimensions:	L: 3.4" total (w/o pin nock) L: 0.86" from rear of arrow shaft to front of pin nock W: 1.26" wing span Diameter: 0.345" max O.D.
-------------	--

Operating Temperature:	-30°C to +50°C
Storage Temperature:	-20°C to +45°C up to 6m -20°C to +20°C up to 2yr
Battery Type:	Rechargeable Li-ion
Battery Life:	18 hrs. in Transmit mode 12 m in Standby & Storage
Charge Cycles:	250
Weatherproofing:	Water resistant, do not submerge

Charging Temp:	0°C to +55°C
Product Approvals:	FCC part 15; IC

**Limited Manufacturer's Warranty:** Limited manufacturer's warranty guaranteed against defects in materials and workmanship not caused by normal wear, misuse, or improper maintenance as determined by Kirsch, LLC. It does not cover damage by impact from another arrow or impact with hard objects.



**KIRSCH, LLC**  
P.O. Box 749, New Munster, WI 53152  
800.970.8041

[www.KirschHunting.com](http://www.KirschHunting.com)  
[CustomerService@KirschHunting.com](mailto:CustomerService@KirschHunting.com)

## Ordering Numbers – Compound Bow:

Part Number	Use with Compound Bows shooting arrow Inside Diameters of .244" (S) & .246" (GT)
<b>Complete Kits (Bloodhound XTNs + Trackers)</b>	
XTN-31120	Bloodhound XTN #1, 2 Practice XTNs, Tracker, wrist strap, charger kit, magnetic off wand, spare set of bushings and replacement retention mechs, and 3 nocks (Starter Kit)
XTN-31730	Bloodhound XTNs #1-3, 3 Practice XTNs, Tracker, wrist strap, charger kit, magnetic off wand, spare set of bushings and replacement retention mechs, and 6 nocks (Weekend Warrior Kit)
XTN-31960	Bloodhound XTNs #1-6, 6 Practice XTNs, Tracker, wrist strap, 2 charger kits, magnetic off wand, spare set of bushings and replacement retention mechs, and 12 nocks (Professional Hunter Kit)
<b>Sets of XTNs (without Tracker)</b>	
XTN-30A10	Bloodhound XTNs #2-3, 1 practice XTNs, magnetic off wand, spare set of bushings and replacement retention mechs, and 3 nocks (Expansion Kit A)
XTN-30730	Bloodhound XTNs #1-3, 3 practice XTNs, charger kit, magnetic off wand, spare set of bushings and replacement retention mechs, and 6 nocks
XTN-30830	Bloodhound XTNs #4-6, 3 practice XTNs, charger kit, magnetic off wand, spare set of bushings and replacement retention mechs, and 6 nocks (Expansion Kit B)
XTN-30960	Bloodhound XTNs #1-6, 6 practice XTNs, 2 charger kits, magnetic off wand, spare set of bushings and replacement retention mechs, and 12 nocks
XTN-30030	3 practice XTNs, bushings, and 3 nocks
XTN-30060	6 practice XTNs, bushings, and 6 nocks
<b>Spares &amp; Accessories</b>	
XTN-30100	Bloodhound XTN #1, spare set of bushings and replacement retention mechs, magnetic off wand, and nock
XTN-30200	Bloodhound XTN #2, spare set of bushings and replacement retention mechs, magnetic off wand, and nock
XTN-30300	Bloodhound XTN #3, spare set of bushings and replacement retention mechs, magnetic off wand, and nock
XTN-30400	Bloodhound XTN #4, spare set of bushings and replacement retention mechs, magnetic off wand, and nock
XTN-30500	Bloodhound XTN #5, spare set of bushings and replacement retention mechs, magnetic off wand, and nock
XTN-30600	Bloodhound XTN #6, spare set of bushings and replacement retention mechs, magnetic off wand, and nock
XTN-30010	Practice XTN - qty 1, spare bushing, and nock
XTN-30002	Replacement nocks and bushings - 6 each
XTN-30003	Replacement XTN springs and screws - 6 each
XTN-50001	USB Charging Kit: USB charging adapter, USB cable, power supply
XTN-50004	Bloodhound XTN magnet



**KIRSCH, LLC**  
P.O. Box 749, New Munster, WI 53152  
800.970.8041

[www.KirschHunting.com](http://www.KirschHunting.com)  
[CustomerService@KirschHunting.com](mailto:CustomerService@KirschHunting.com)

## Ordering Numbers – Crossbow

Part Number	Use with Crossbows shooting bolt Inside Diameters of .285", .297", & .300" and string inside angle at full draw of <78 degree w/ capture nock, <86 degree w/ flat nock & "V" nock
<b>Complete Kits (Bloodhound XTNs + Trackers)</b>	
XTN-41120	Bloodhound XTN #1, 2 Practice XTNs, Tracker, wrist strap, charger kit, magnetic off wand, spare set of bushings and replacement retention mechs, and 3 nocks of each: flat, "v", and capture (Starter Kit)
XTN-41730	Bloodhound XTNs #1-3, 3 Practice XTNs, Tracker, wrist strap, charger kit, magnetic off wand, spare set of bushings and replacement retention mechs, and 6 nocks of each: flat, "v", and capture (Weekend Warrior Kit)
XTN-41960	Bloodhound XTNs #1-6, 6 Practice XTNs, Tracker, wrist strap, 2 charger kits, magnetic off wand, spare set of bushings and replacement retention mechs, and 12 nocks of each: flat, "v", and capture (Professional Hunter Kit)
<b>Sets of XTNs (without Tracker)</b>	
XTN-40A10	Bloodhound XTNs #2-3, 1 practice XTNs, magnetic off wand, spare set of bushings and replacement retention mechs, and 3 nocks of each: flat, "v", and capture (Expansion Kit A)
XTN-40730	Bloodhound XTNs #1-3, 3 practice XTNs, charger kit, magnetic off wand, spare set of bushings and replacement retention mechs, and 6 nocks of each: flat, "v", and capture
XTN-40830	Bloodhound XTNs #4-6, 3 practice XTNs, charger kit, magnetic off wand, spare set of bushings and replacement retention mechs, and 6 nocks of each: flat, "v", and capture (Expansion Kit B)
XTN-40960	Bloodhound XTNs #1-6, 6 practice XTNs, 2 charger kits, magnetic off wand, spare set of bushings and replacement retention mechs, and 12 nocks of each: flat, "v", and capture
XTN-40030	3 practice XTNs, bushings, and 3 nocks of each: flat, "v", and capture
XTN-40060	6 practice XTNs, bushings, and 6 nocks of each: flat, "v", and capture
<b>Spares &amp; Accessories</b>	
XTN-40100	Bloodhound XTN #1, spare set of bushings and replacement retention mechs, magnetic off wand, and nock of each: flat, "v", and capture
XTN-40200	Bloodhound XTN #2, spare set of bushings and replacement retention mechs, magnetic off wand, and nock of each: flat, "v", and capture
XTN-40300	Bloodhound XTN #3, spare set of bushings and replacement retention mechs, magnetic off wand, and nock of each: flat, "v", and capture
XTN-40400	Bloodhound XTN #4, spare set of bushings and replacement retention mechs, magnetic off wand, and nock of each: flat, "v", and capture
XTN-40500	Bloodhound XTN #5, spare set of bushings and replacement retention mechs, magnetic off wand, and nock of each: flat, "v", and capture
XTN-40600	Bloodhound XTN #6, spare set of bushings and replacement retention mechs, magnetic off wand, and nock of each: flat, "v", and capture
XTN-40010	Practice XTN - qty 1, spare bushings, and nock of each: flat, "v", and capture
XTN-40002	Replacement nocks and bushings - 6 of each: flat, "v", and capture
XTN-40003	Replacement XTN springs and screws - 6 each
XTN-50001	USB Charging Kit: USB charging adapter, USB cable, power supply
XTN-50004	Bloodhound XTN magnet

Errors, technical changes, and delivery delays may occur. Technical information refers only to the specifications of the products. Features may differ from the information provided.



**KIRSCH, LLC**  
P.O. Box 749, New Munster, WI 53152  
800.970.8041

[www.KirschHunting.com](http://www.KirschHunting.com)  
[CustomerService@KirschHunting.com](mailto:CustomerService@KirschHunting.com)